



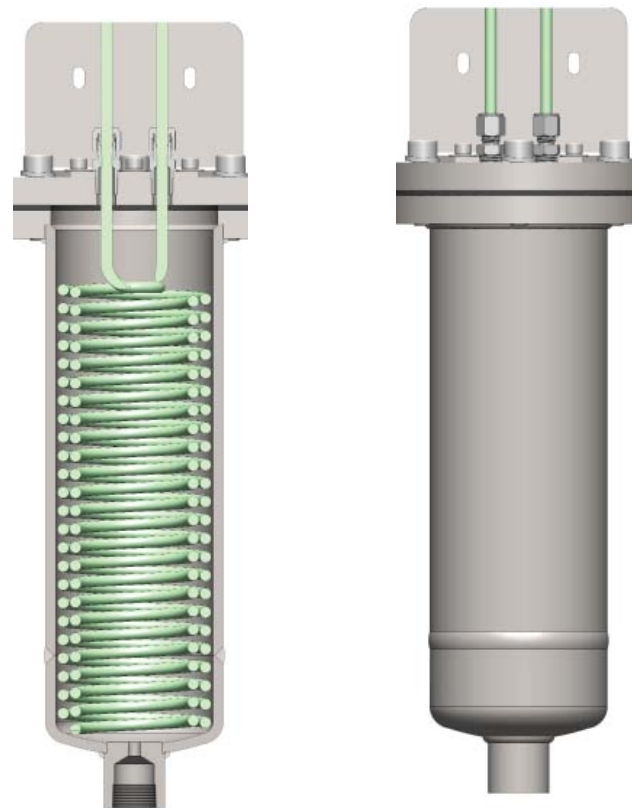
CobraCool

Double Helical Coil Process Sample Cooler

High efficiency cooling for liquids and gases

Features

- Double helical cooling coils
- Full flow around tubes for maximum efficiency
- Easily replaceable coils in case of clogging
- Wide variety of materials for process compatibility
- Extreme temperature and pressure options available



Function

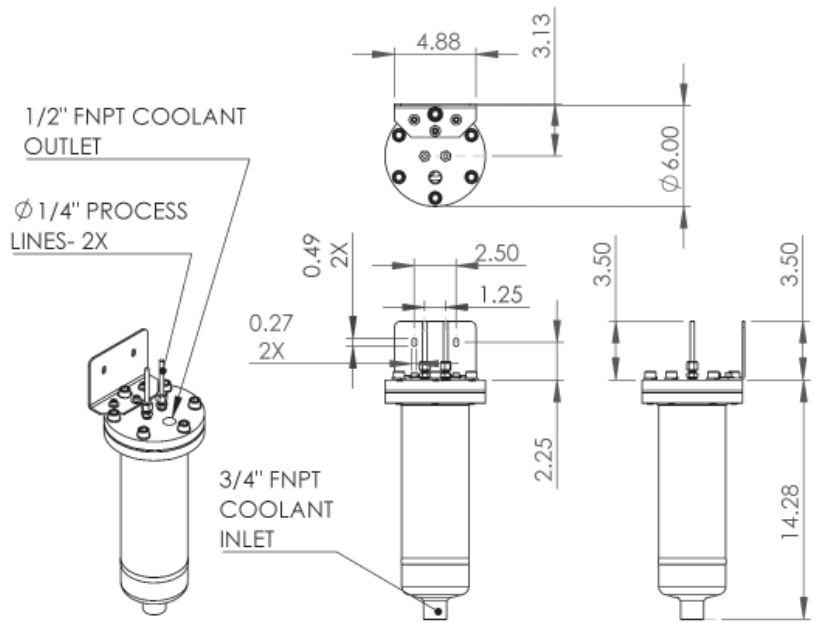
The CobraCool SC 100 sample cooler is a very compact and efficient way to reduce the temperature of a process sample to a safe level for collection. It is ideal for flows below 0.5 gallons per minute in a single phase service. It can also be used for up to 0.25 gallons per minute in a condensing heat transfer application.

Standard materials are 316 SS for the process coils and 304 SS for the jacket shell. A wide variety of materials are available for more severe services

Model	Shell Pressure	Coil Pressure	Shell Material	Coil Material	Coil Area	Weight	Part Number
SC-100	450 psi @ 650° F	1000 psi @ 1000° F	304 SS	316 SS Ø 1/4" x 0.035 W	2.4 ft ²	25 lbs	SC-100-A
SC-100	450 psi @ 650° F	1000 psi @ 1000° F	304 SS	Inconel 625 Ø 1/4" x 0.035 W	2.4 ft ²	25 lbs	SC-100-B



Dimensions



Performance Specifications

